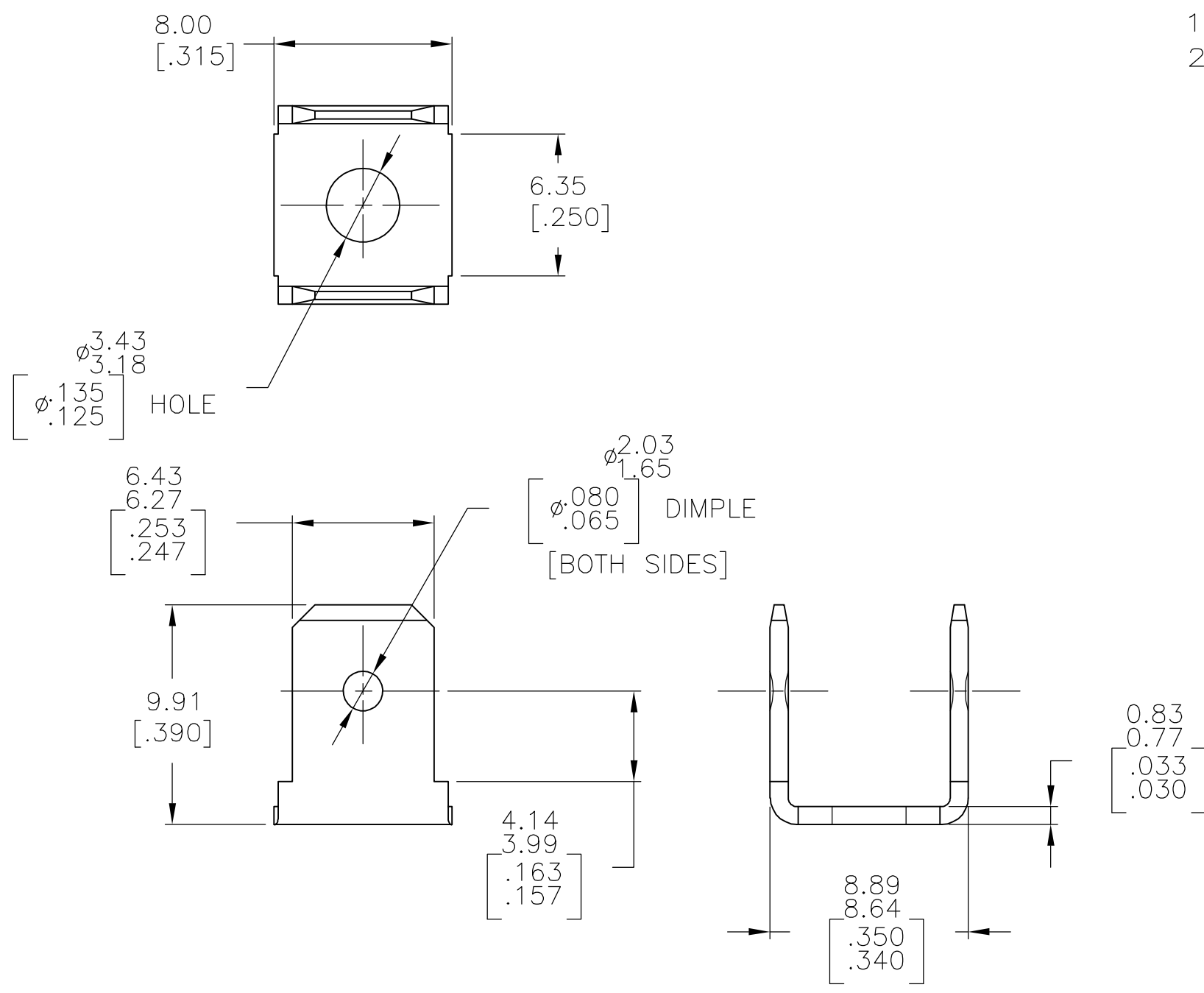


THIS DRAWING IS UNPUBLISHED. RELEASED FOR PUBLICATION
 © COPYRIGHT BY TYCO ELECTRONICS CORPORATION. ALL RIGHTS RESERVED.

LOC	DIST	REVISIONS					
AF	50	P	LTR	DESCRIPTION	DATE	DWN	APVD
		AG		REV PER ECR-05-017287	24MAR06	HMR	JR



1- DIMENSIONS IN BRACKETS ARE IN INCHES.
 2- CONTINUOUS STRIP ON REELS.

41290
 PART NO

METRIC

THIS DRAWING IS A CONTROLLED DOCUMENT.		DWN	JR RUTH	8/12/86	 Tyco Electronics Corporation Harrisburg, PA 17105-3608							
DIMENSIONS: mm [INCHES]		CHK	G YETTER	8/12/86								
TOLERANCES UNLESS OTHERWISE SPECIFIED:		APVD	C MEYERS	8/13/86								
0 PLC ± - 1 PLC ± - 2 PLC ± - 3 PLC ± 0.25 .010 4 PLC ± - ANGLES ± -		PRODUCT SPEC		NAME								
MATERIAL #2H BRASS		FINISH -		.250 SERIES FASTON TAB								
		WEIGHT	-		SIZE	A3	CAGE CODE	00779	DRAWING NO	C-41290	RESTRICTED TO	-
		CUSTOMER DRAWING			SCALE	4:1	SHEET	1 OF 1	REV	AG		